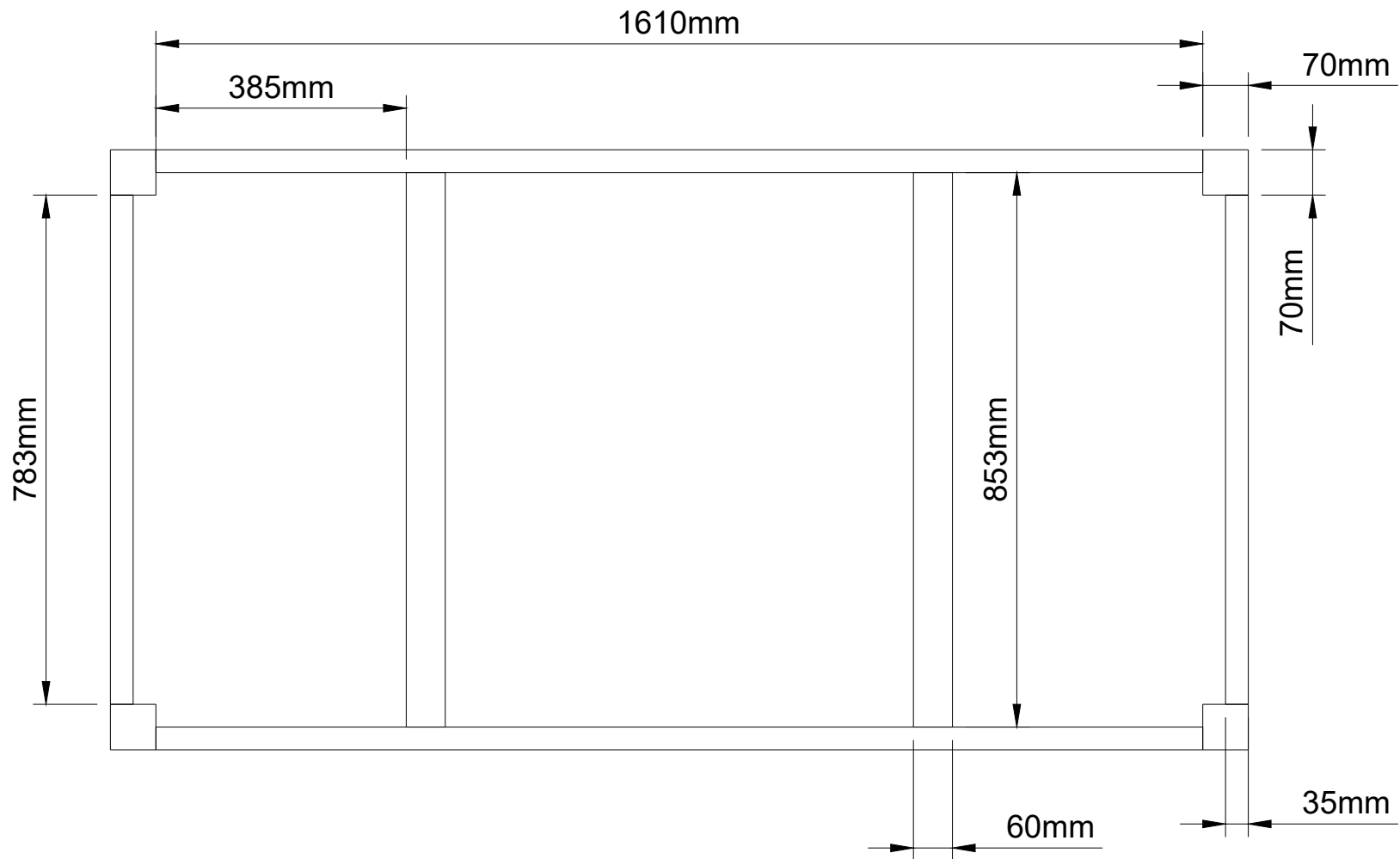


	<h1>Outdoor Table</h1> <h2>Overview</h2>	
	SCALE 1:20	DATE 2018-01-14



Outdoor Table Base Overview

SCALE
1:20

DATE
2018-01-14

Cut List		
Part	Quantity	Dimension (width x thickness x length)
Long Apron	2	50mm x 35mm x 1680mm
Short Apron	2	50mm x 35mm x 853mm
Internal Stretcher	2	60mm x 35mm x 853mm The length assumes loose tenon joinery, add to length if using integral tenon
Legs	4	70mm x 70mm x 760mm
Top Slats	7	130mm x 20mm x 1800mm

	Outdoor Table	
	Cut List	
SCALE	DATE 2018-01-14	